

# AIR SUPERIORITY® BLOWER ENCLOSURES

**NEW!**

**VORTRON'S** blower enclosure represents our newest "Best-in-Class" product addition, consistent with the quality and reputation of our performance-leading **AIRPOWER®** product line. Our enclosure allows for outdoor installation and is completely weather-proof - ideal for washdown or wet environment applications. Fits all **VORTRON** blowers, 3-25 HP.

Features include:

- Polypropylene construction - Achieves 10+ dB noise attenuation!
- Low Profile design - easily installs under conveyor lines!
- Lift-off top for ease of access
- Includes ventilation filters - keeps enclosure interior clean and extends blower filter element life
- Maintains full operation of Vortron's exclusive Fresh-Aire™ system.
- Stainless steel hardware
- Built-in fork pockets for ease of installation



Superior design,  
Superior manufacturing,  
Superior performance!



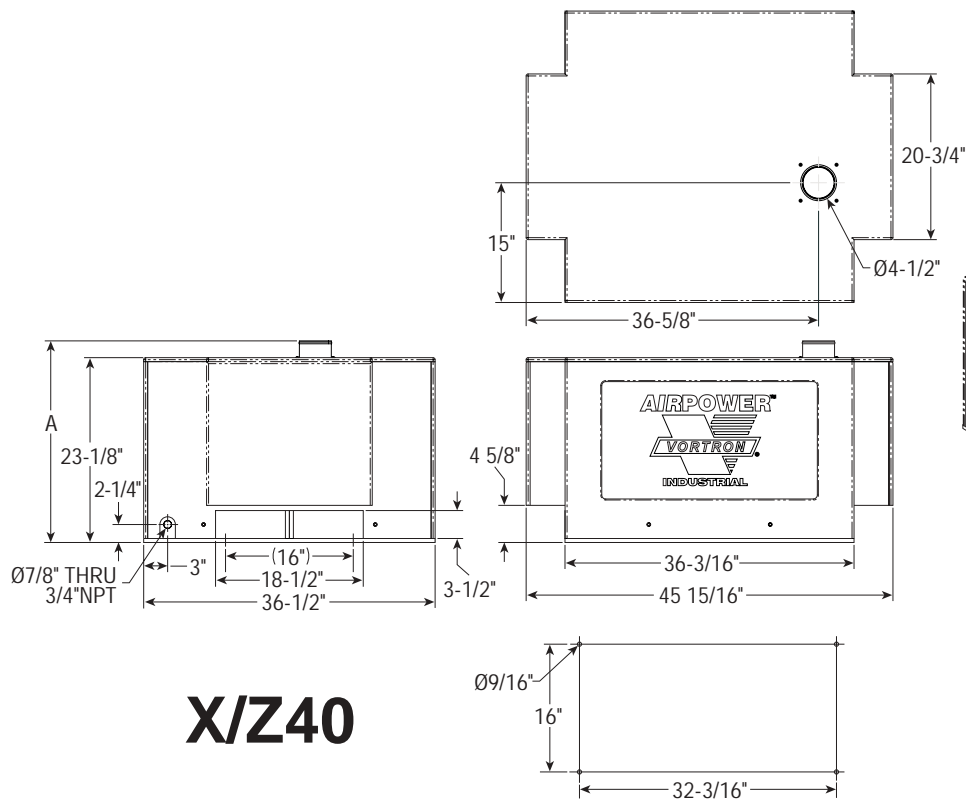
1650 Pacific Avenue, Channel Islands, CA 93033-9901  
Tel: 805 240-2516 / FAX: 805 487-5468

[www.vortron.com](http://www.vortron.com)

Available From:

**CAPA Industrial**  
20 Verrall Crescent, Berri SA 5343  
Phone: 08 8582 3499  
[www.capa.com.au/industrial](http://www.capa.com.au/industrial)

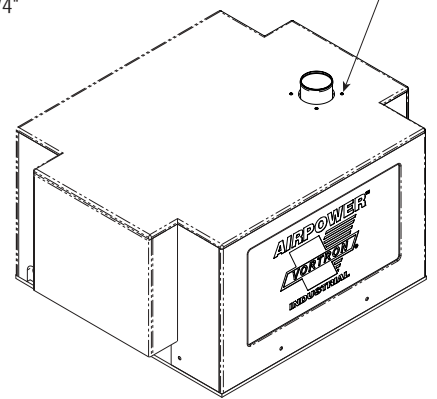
PRODUCT DISCLAIMER: All illustrations, photographs and specifications in this publication are based upon the latest information available. All products/specifications are subject to change without prior notice.  
©2005 Vortron Industrial - All Rights Reserved, Intl. Copr. Secured.



# X/Z40

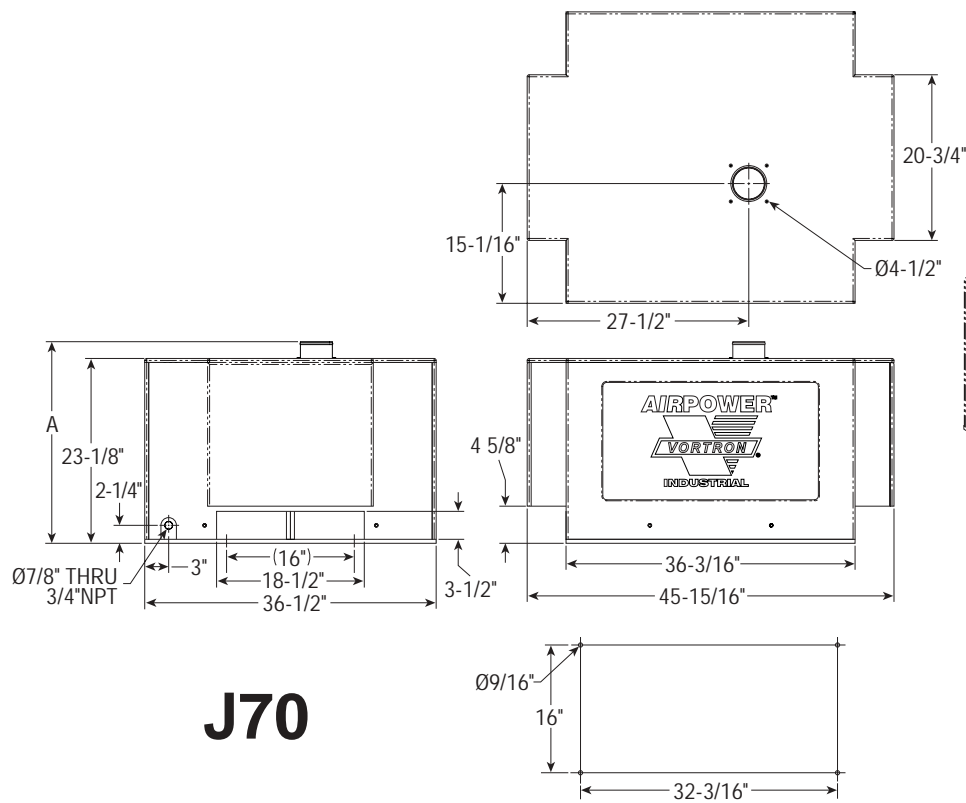
ANCHOR BOLT LAYOUT

4) 8-32 x 1-1/4" THCS (INCLUDED)



### "A" DIMENSION

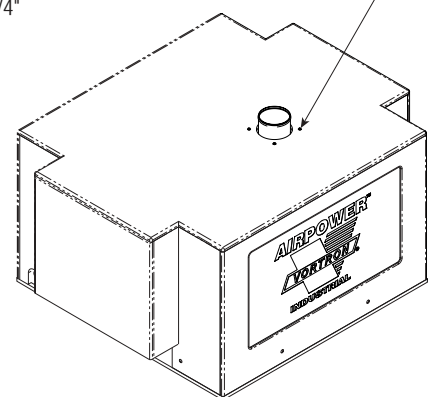
182 FRAME - 3HP	25-1/4"
184 FRAME - 5HP	25-1/4"
213 FRAME - 7.5HP	25-1/4"
215 FRAME - 10HP	25-1/4"
254 FRAME - 15HP	25-1/4"
256 FRAME - 20HP	25-1/4"
284 FRAME - 25HP	25-5/8"



# J70

ANCHOR BOLT LAYOUT

(4) 8-32 x 1-1/4" THCS (INCLUDED)



### "A" DIMENSION

182 FRAME - 3HP	25-1/4"
184 FRAME - 5HP	25-1/4"
213 FRAME - 7.5HP	25-1/4"
215 FRAME - 10HP	25-1/4"
254 FRAME - 15HP	25-1/4"
256 FRAME - 20HP	25-1/4"
284 FRAME - 25HP	25-5/8"