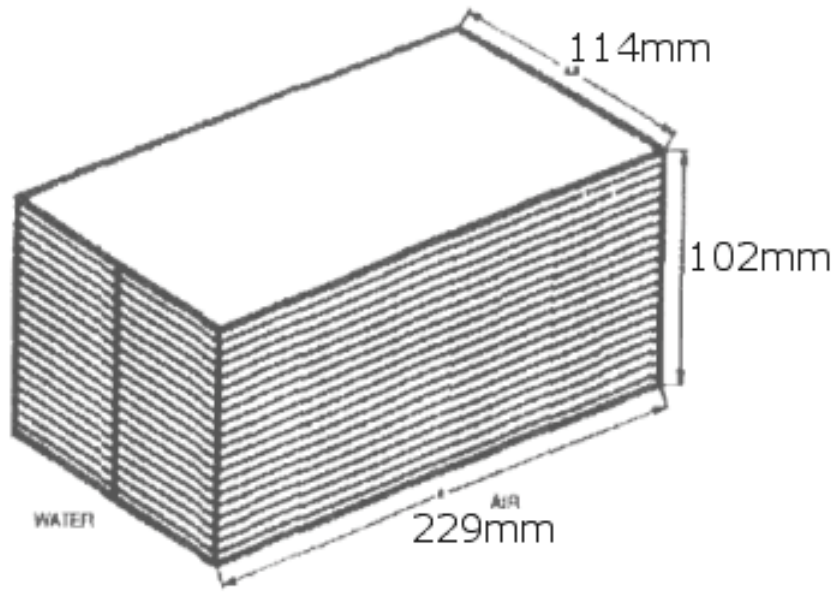
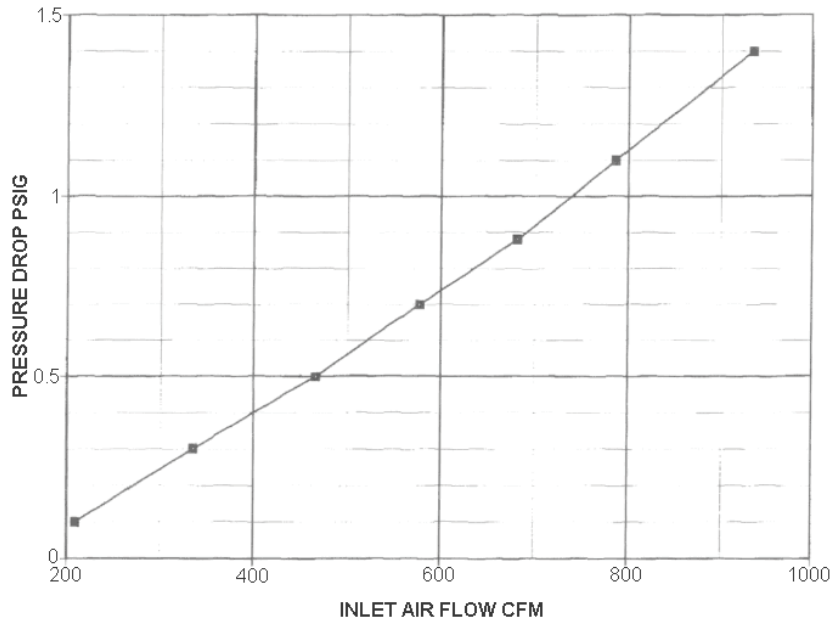


End Tanks

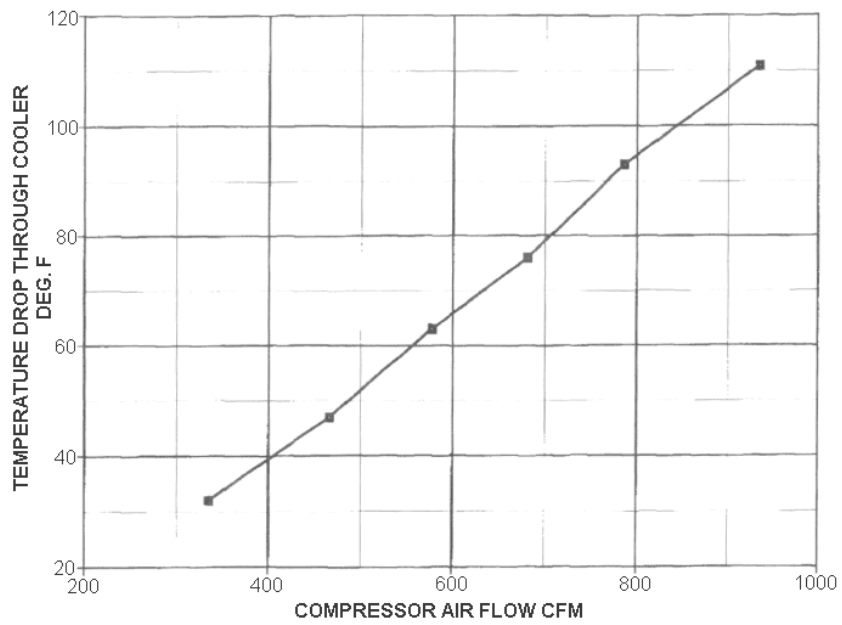


Core

PRESSURE DROP VERSUS AIR FLOW



TEMPERATURE DROP VERSUS AIR FLOW



EFFECTIVENESS VERSUS AIR FLOW

