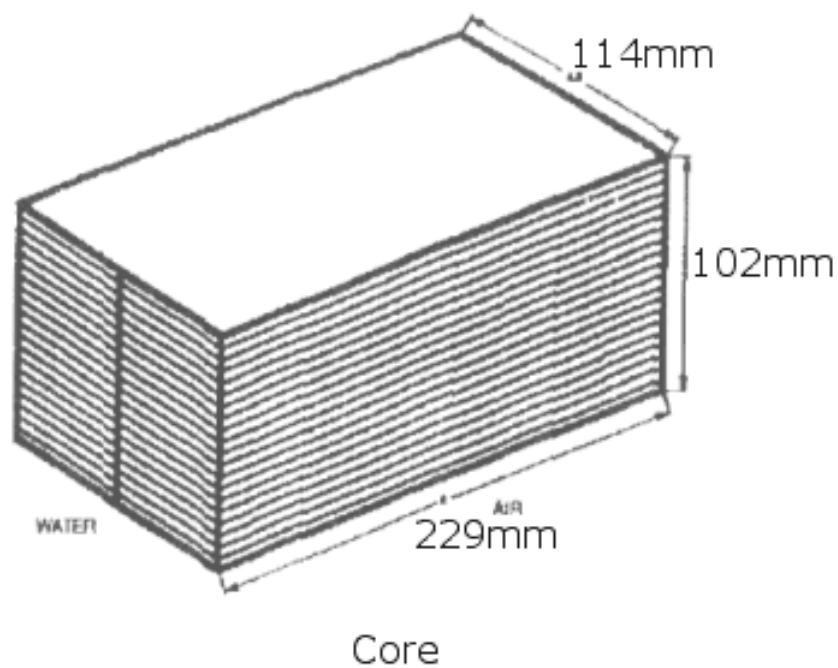
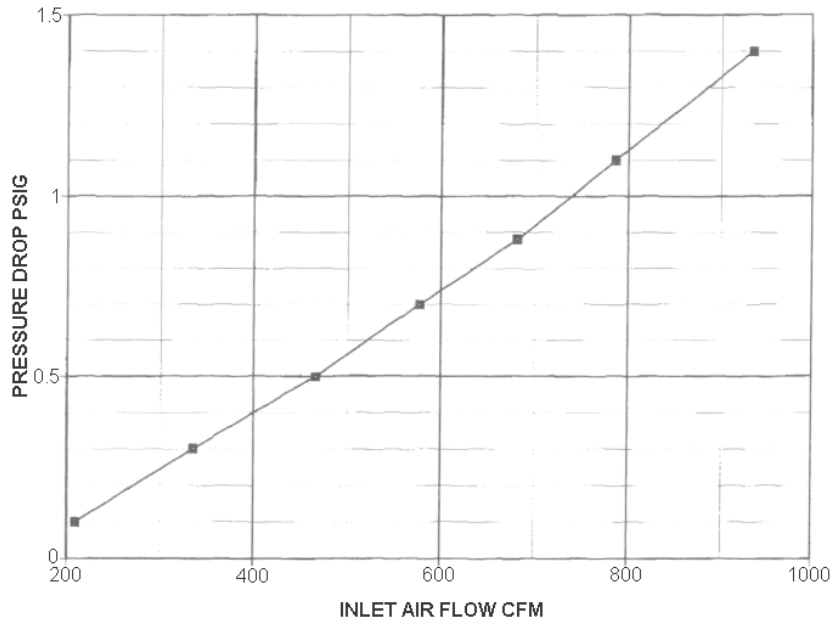


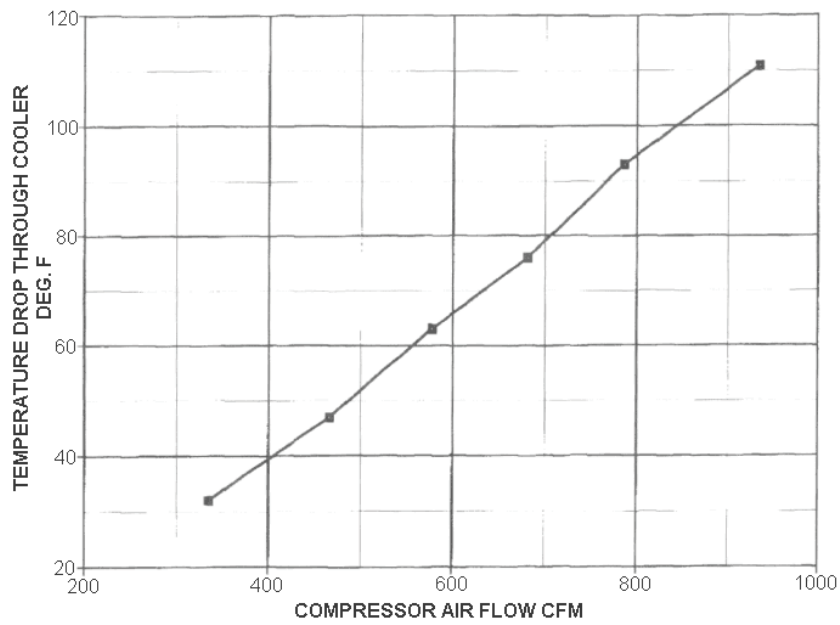
Height of Cooler: 110mm
 Height of Cooler, Including Cap: 165mm
 Inlet and Outlet Diameter: 70mm



PRESSURE DROP VERSUS AIR FLOW



TEMPERATURE DROP VERSUS AIR FLOW



EFFECTIVENESS VERSUS AIR FLOW

