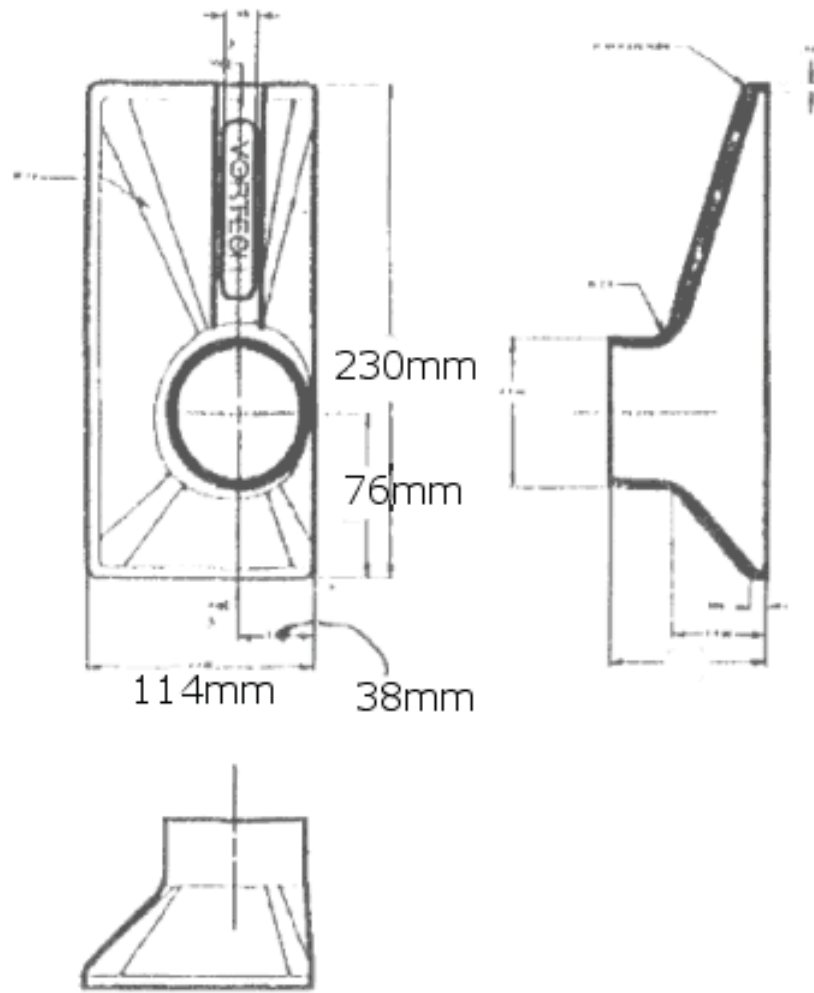
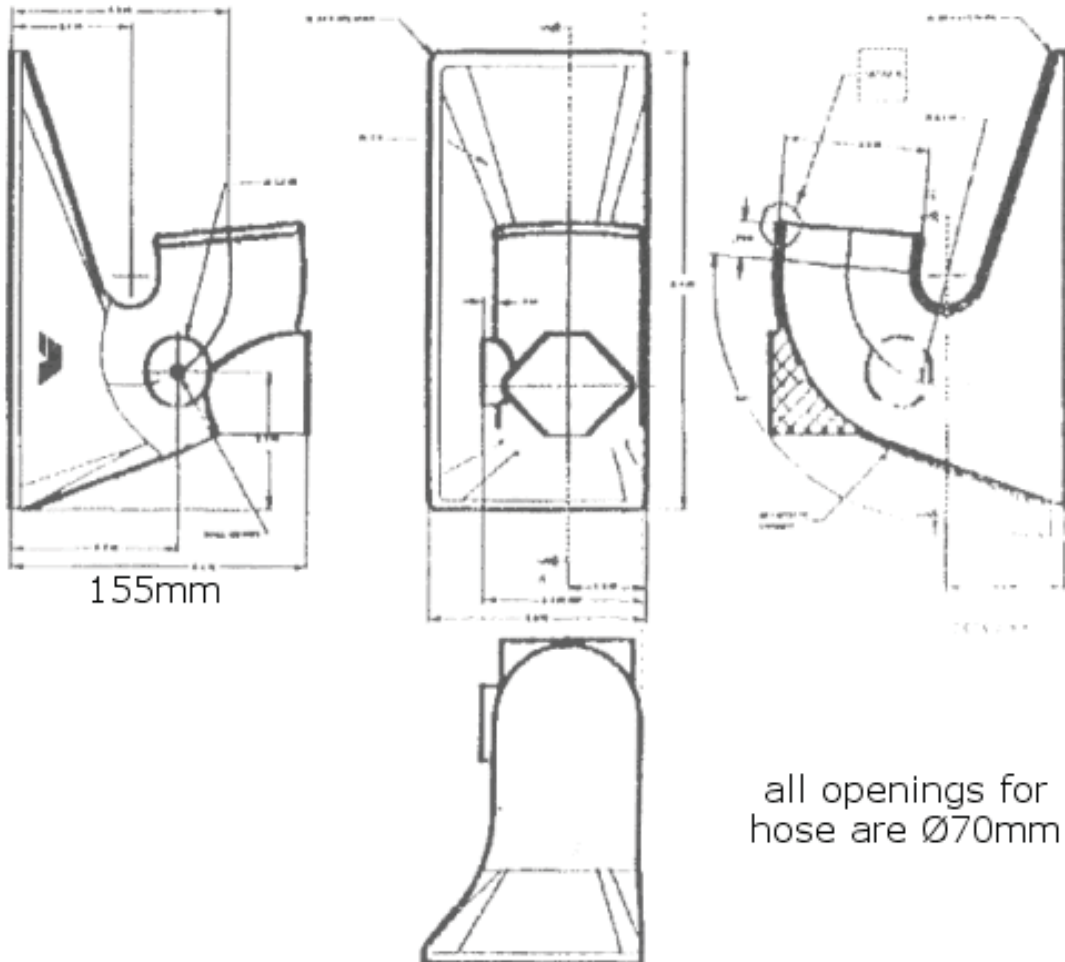


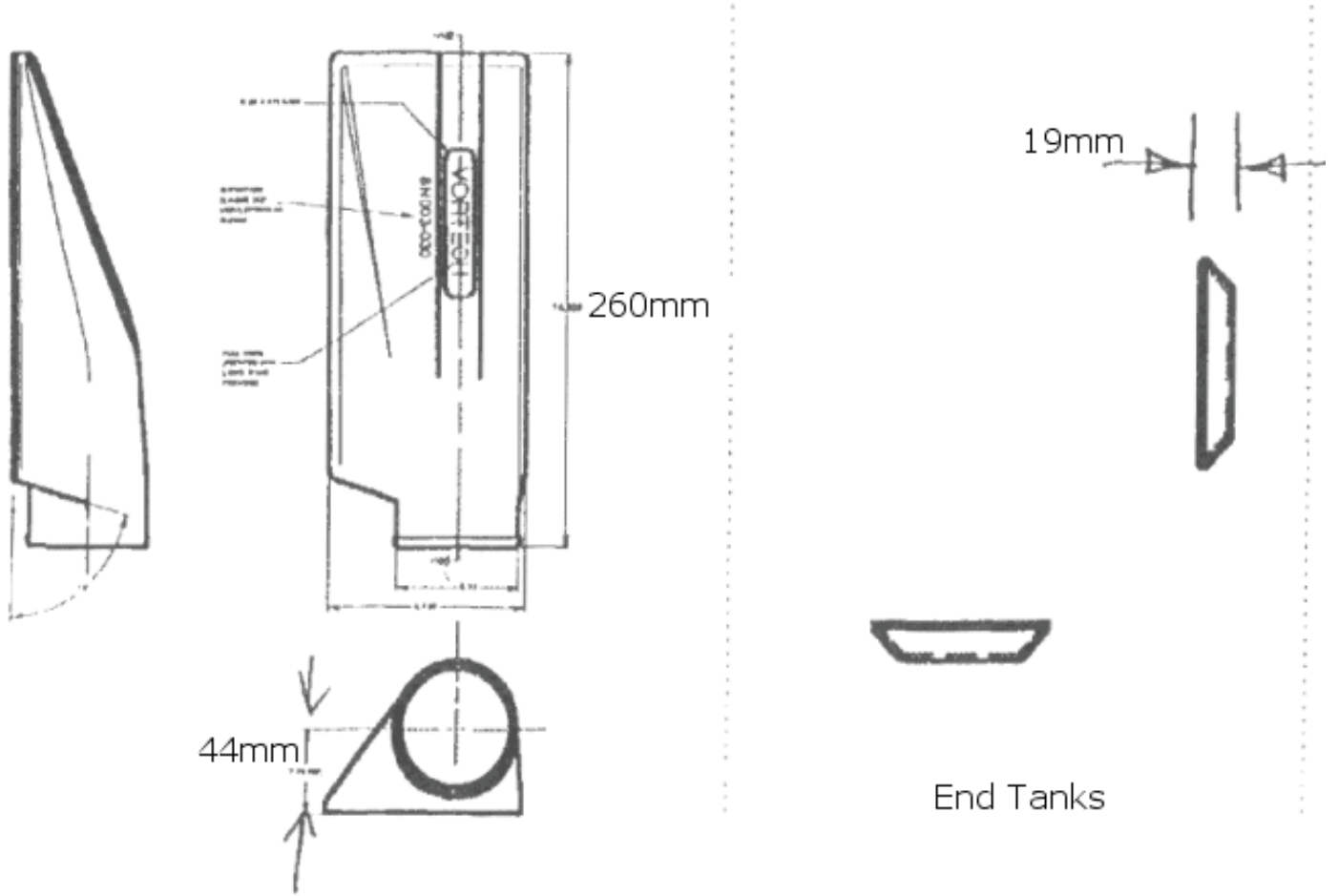
## Type 1 End Tank



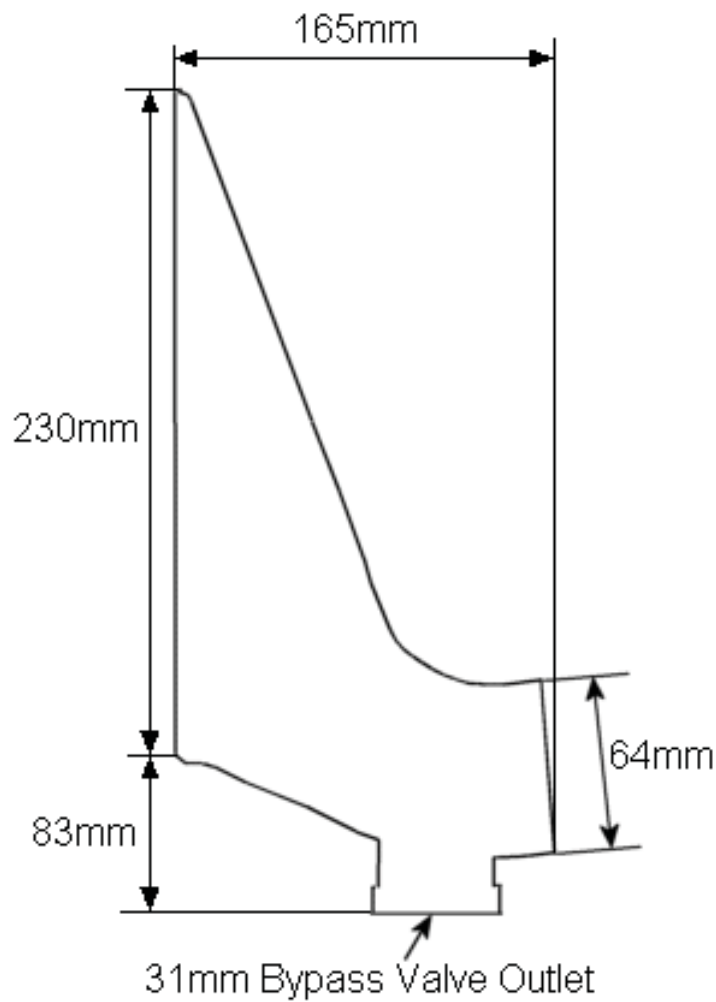
## Type 2 End Tank



### Type 3 End Tank



### Type 4 End Tank



# Type 5 End Tank

